



DATE
DEC 08 2016
CATALOG #
VHPO304

OUTLINE DIMENSIONS

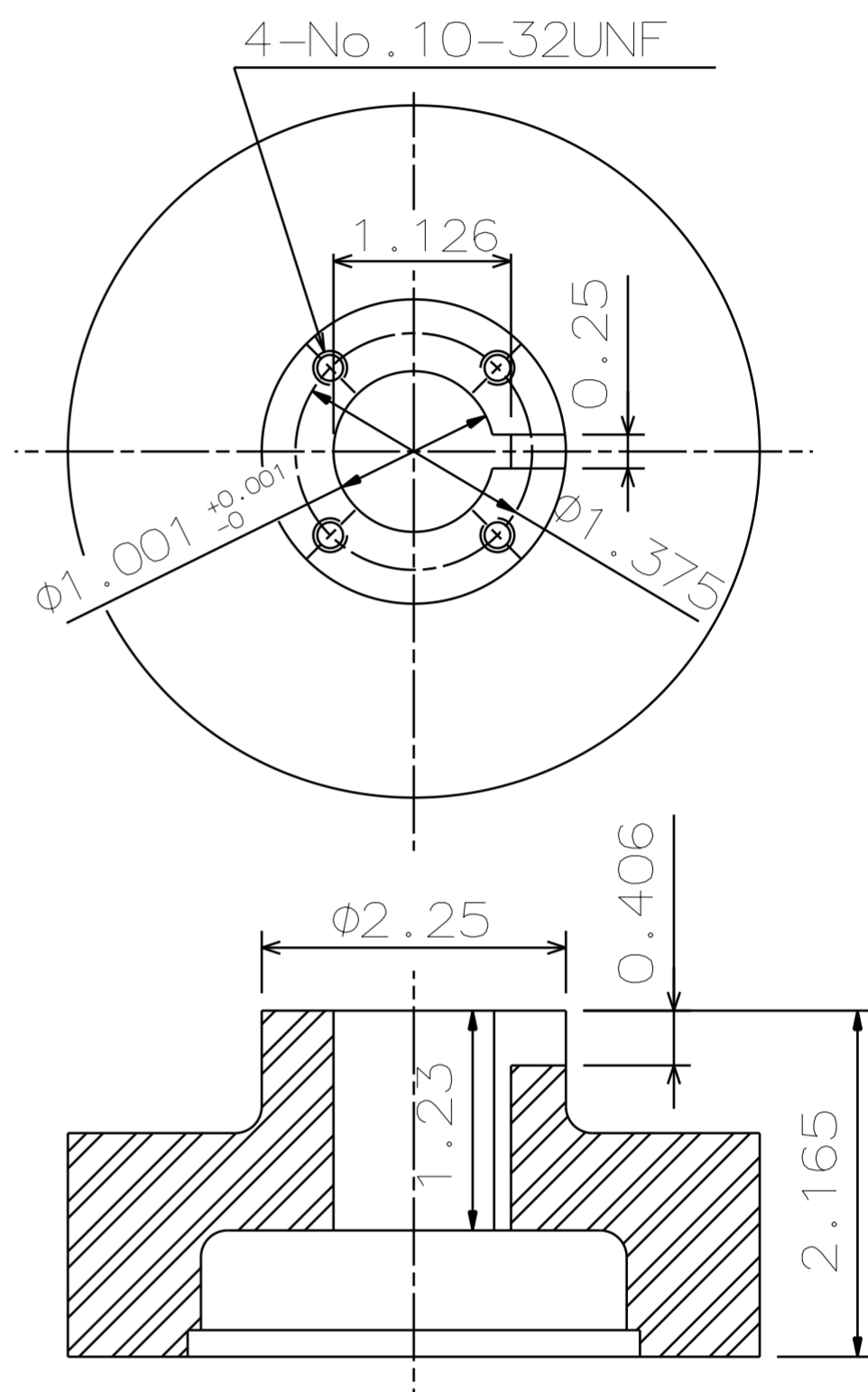
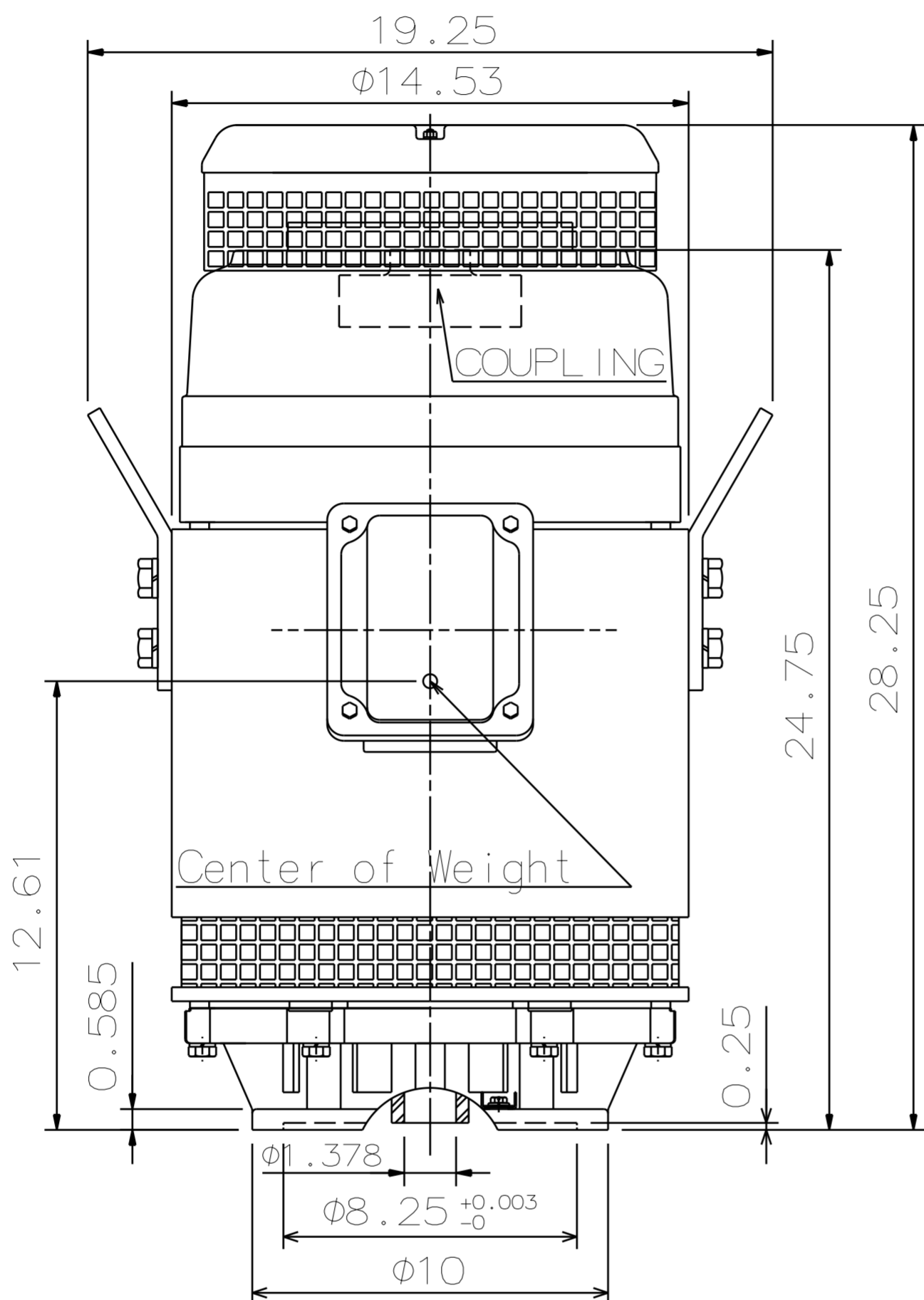
3-PHASE INDUCTION MOTOR

MOTOR TYPE:
AMRCNH-A08
FRAME NO. 286TP

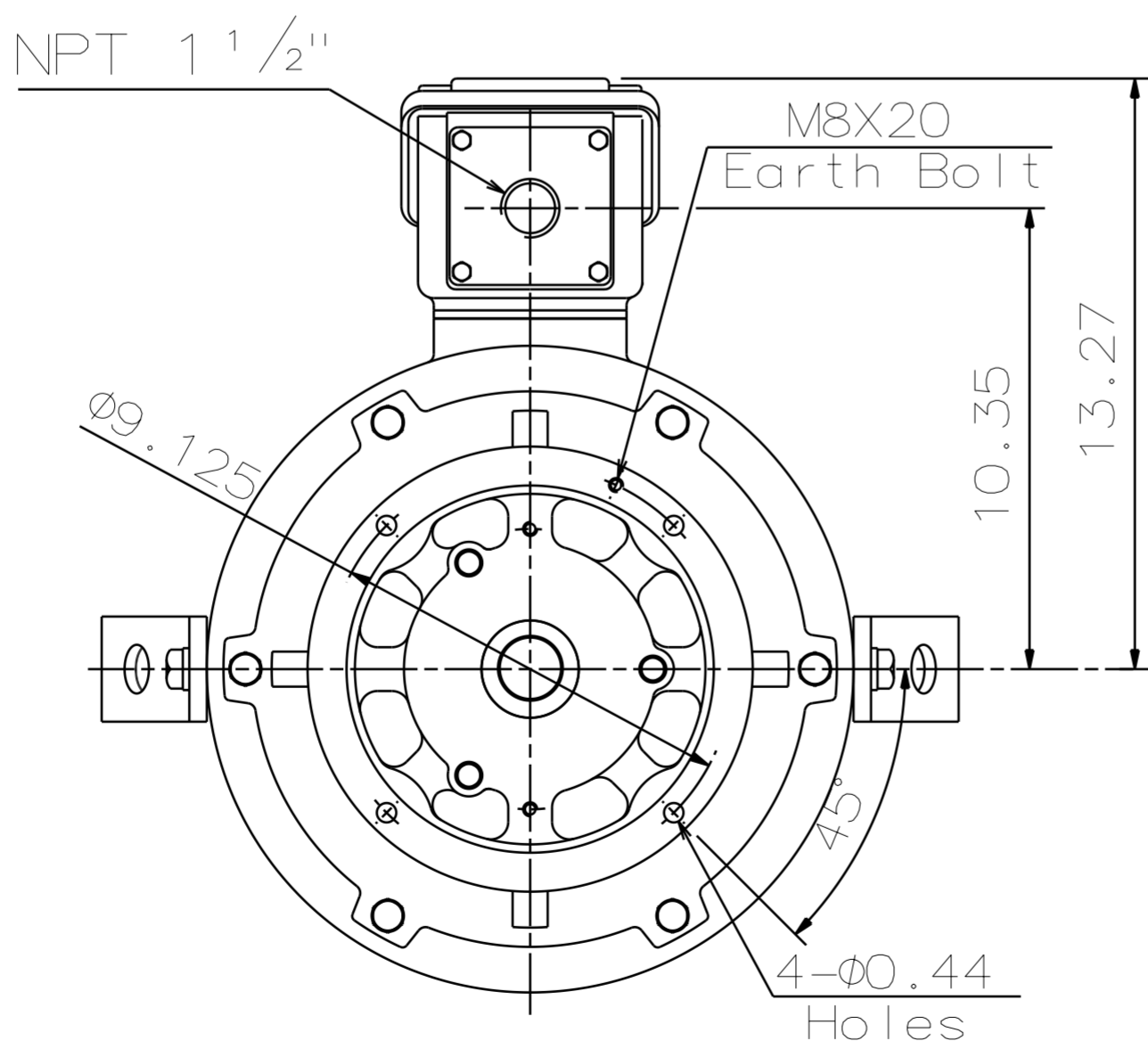
Pole	HP	kW	Hz	VOLT	r/min (rpm)
4	30	22.4	60	230/460	1800

Ins	Rating	Dimension in	Approx Weight	Bearings
F	CONT.	inch	459 lbs	DE:6312ZZC3 NDE: 7312B

NEMA Weather Protected TYPE I (WP I). Squirrel-cage Rotor.



Coupling Dimension



Note:

1. Downthrust: 3550 lbs. (L10-8800 hrs)
2. Rotation: C.C.W. (View from Top)
3. With Ball type N.R.R.
4. Approx Reed Frequencies: 73.6 Hz.

□			
---	--	--	--

DWG.	K.L.KUO	04.20.11
CHKD.	K.L.KUO	04.20.11
APPD.	M.C.TSAI	04.20.11



DWG NO.
31057H808220